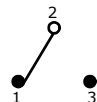
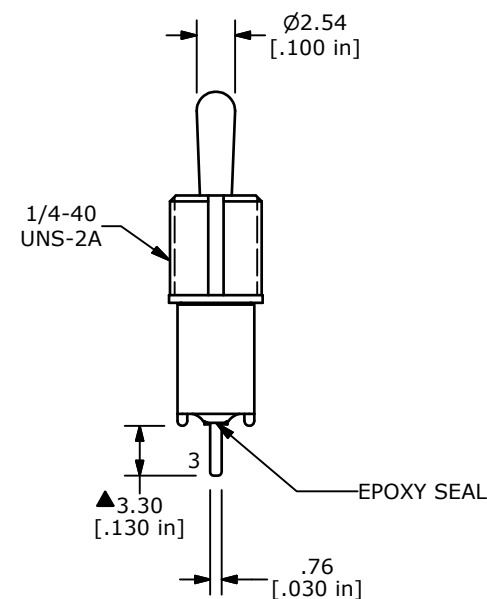
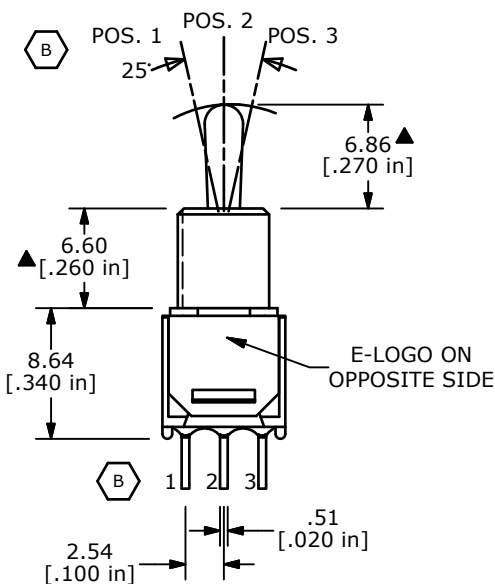


SWITCH FUNCTION		
POS. 1	POS. 2	POS. 3
ON	OFF	ON
2-3	OPEN	2-1



CIRCUIT: SPDT



- NOTE:
1. ALL DIMENSIONS IN MM [INCH]
  2. GENERAL TOLERANCE: X.X=±0.4  
X.XX=±0.25
  3. TERMINAL NUMBERS FOR REF ONLY
  - ▲ 4. PLATING MATERIAL: GOLD
  5. RATING: 0.4 VA MAX. @ 20 VAC OR VDC
  6. ELECTRIC LIFE: 30,000 MAKE-AND-BREAK CYCLES AT FULL LOAD.
  7. INSULATION RESISTANCE: 1,000 MΩ MIN.
  8. DIELECTRIC STRENGTH: 1,000 V RMS @SEA LEVEL.
  9. CONTACT RESISTANCE: 20mΩ MAX. INITIAL @2-4VDC  
100mA FOR BOTH SILVER AND GOLD PLATED CONTACTS.
  10. OPERATING TEMP.: -30°C to 85°C
  11. 2002/95/EC (ROHS) COMPLIANT
  12. ▲ DENOTES CRITICAL PARAMETER.



B	20335	CORRECT TERMINAL CALLOUTS	12/9/11	BGL
A	20123	RELEASED FOR PRODUCTION	09/01/11	BMA
REV	PCR NO	DESCRIPTION	DATE	BY

TITLE 200MSP3T5B7M2RE				
SCALE 2:1	DATE 9/1/2011	DR BMA	DWG T211154	REV B

THE INFORMATION CONTAINED IN THIS DOCUMENT IS PROPRIETARY TO E-SWITCH AND IS NOT TO BE COPIED OR TRANSFERRED